

Name: _____



PRACTICE



TUTORIAL

Practice & Problem Solving

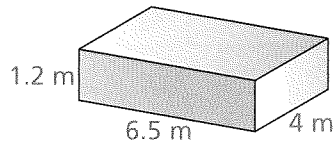


Scan for
Multimedia

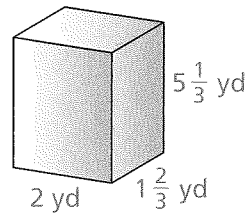


In 10–13, find the volume of each rectangular prism.

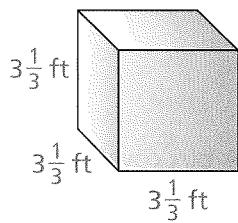
10.



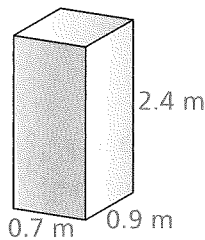
11.



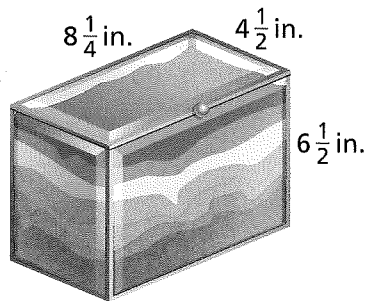
12.



13.



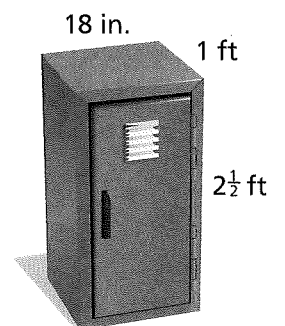
14. A clear box has the shape of a rectangular prism and is filled with sand. Find the volume of the box.



15. **Use Structure** A rectangular prism has a length of $2\frac{1}{2}$ yd, a width of $1\frac{1}{2}$ yd, and a height of $1\frac{1}{2}$ yd. You use cubes with fractional edge lengths of $\frac{1}{2}$ yd to find the volume. How many cubes are there for each of the length, width, and height of the prism? What is the volume of the prism?

16. A gift box has the shape of a cube. The length of each side is 10.5 cm. What is the volume of the gift box?

17. A school locker has a length of 1 ft, a width of 18 in., and a height of $2\frac{1}{2}$ ft. What is the volume of the locker in cubic feet?



In 18 and 19, use the table.

18. **Use Structure** Sandy has two boxes with the dimensions shown. She wants to use the box with the greater volume to ship a gift to her friend. Which box should Sandy use? Explain.

	Length	Width	Height
Box A	$7\frac{1}{2}$ in.	2 in.	$11\frac{1}{2}$ in.
Box B	9 in.	$2\frac{1}{4}$ in.	$8\frac{1}{2}$ in.

19. Sandy finds a third box, box C, that has a length of 8 inches, a width of $2\frac{3}{4}$ inches, and a height of $10\frac{1}{2}$ inches. If Sandy wants to use the box with the greatest volume, should she use box C? Explain.

20. The volume of a large crate is 84 yd^3 . It is $2\frac{2}{3}$ yd wide and $4\frac{2}{3}$ yd high. What is the length of the crate?

21. **Higher Order Thinking** A box covers an area of $8\frac{3}{4} \text{ in.}^2$ when resting on its base. The volume of the box is $74\frac{3}{8} \text{ in.}^3$. Can you find the surface area of the box? Explain.

22. **Make Sense and Persevere** A gold bar is similar in shape to a rectangular prism. A standard mint bar is approximately $7 \text{ in.} \times 3\frac{5}{8} \text{ in.} \times 1\frac{3}{4} \text{ in.}$ If the value of gold is \$1,313 per ounce, about how much is one gold bar worth? Use the formula $w \approx 11.15n$, where w is the weight in ounces and n is the volume in cubic inches, to find the weight in ounces. Explain how you found your answer.



Assessment Practice

23. Find the volume of the prism.

