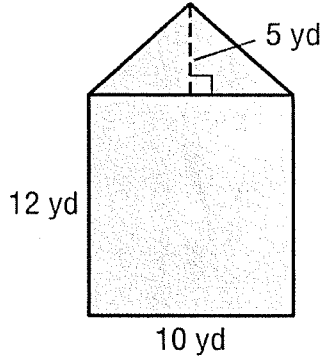


Lesson 6 Skills Practice

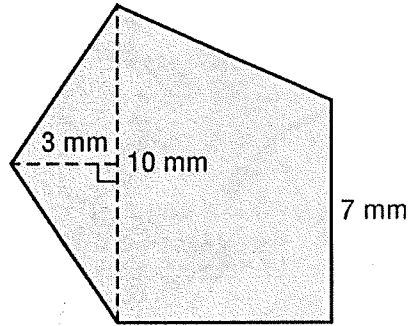
Area of Composite Figures

Find the area of each figure.

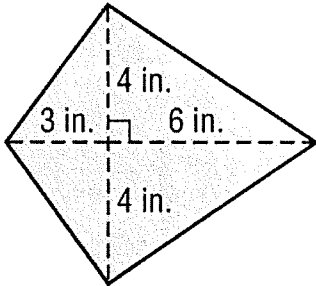
1.



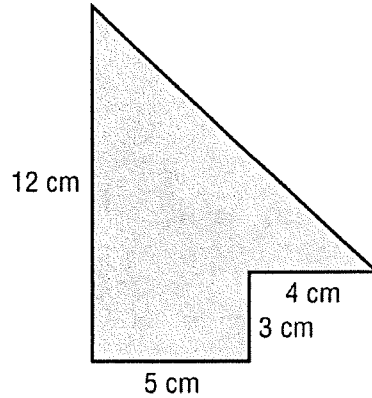
2.



3.



4.



5.

